

PRODUCT CATALOGUE

FHRW SERIES

OUTDOOR AC MEDIUM VOLTAGE FUSE CUTOUT

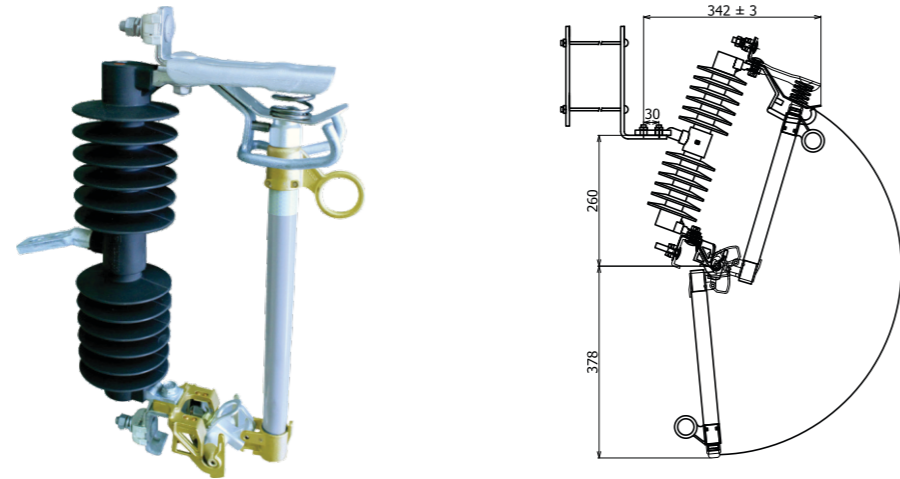


HEAD OFFICE & FACTORY

Jl. Raya Siliwangi Kel. Alam Jaya, Kec. Jatiuwung
Tangerang, Banten - Indonesia
Phone : +62-21 59319009 | Fax : +62-21 59319010
e-mail : sales@powerindoperkasa.com

FHRW SERIES

DIMENSION DRAWING AND TECHNICAL PARAMETER



| PARAMETER TYPE | FHRW - 24 | | FHRW - 27 | |
|---|-------------|-------------|-------------|-------------|
| | FHRW 24-100 | FHRW 24-200 | FHRW 27-100 | FHRW 27-200 |
| RATED VOLTAGE (KV) | 24 | 24 | 27 | 27 |
| RATED CURRENT (A) | 100 | 200 | 100 | 200 |
| RATED FREQUENCY (Hz) | 50 | 50 | 50 | 50 |
| RATED BREAKING (ASYM) CURRENT (KA) | 12.5 | 12.5 | 12.5 | 12.5 |
| POWER FREQUENCY WITHSTAND VOLTAGE (DRY TEST) (KV) | 65 | 65 | 65 | 65 |
| POWER FREQUENCY WITHSTAND VOLTAGE (WET TEST) (KV) | 50 | 50 | 50 | 50 |
| RATED LIGHTING IMPULSE WITHSTAND VOLTAGE (B I L) (KV) | 125 | 125 | 125 | 125 |
| MECHANICAL LIFE TIME (TIMES) | 500 | 500 | 500 | 500 |
| CREEPAGE DISTANCE (mm) | 575 | 575 | 575 | 575 |
| WEIGHT (Kg) | 4.2 | 4.2 | 4.2 | 4.2 |

FUSE LINK

DRAWING AND SELECTION TABLE



TABEL PEMILIHAN FUSE LINK sebagai berikut :

| | 1 PHASE/ CSP TRAFO | | | 3 PHASE | | | | | | | | | |
|--------------------------------------|--------------------|------|------|---------|------|------|------|------|------|------|-------|-------|------|
| | 16 | 25 | 50 | 25 | 50 | 100 | 160 | 200 | 250 | 315 | 400 | 500 | 630 |
| DAYA TRAFO (KVA) | 16 | 25 | 50 | 25 | 50 | 100 | 160 | 200 | 250 | 315 | 400 | 500 | 630 |
| ARUS PENGENAL TRAFO (A) | 1,39 | 2,17 | 4,33 | 0,72 | 1,45 | 2,89 | 4,62 | 5,77 | 7,22 | 9,10 | 11,55 | 14,43 | 18,2 |
| ARUS (A) PENGENAL FUSE LINK | 2 | 4 | 6 | 2 | 4 | 6 | 10 | 15 | 15 | 20 | 20 | 25 | 30 |



Breaking Test Report Fuse Cutout

Sertifikat Sistem Pengawasan Mutu

Type Test Report LMK / PLN

Weather Aging Test Report HV 1560 Silicone Rubber